

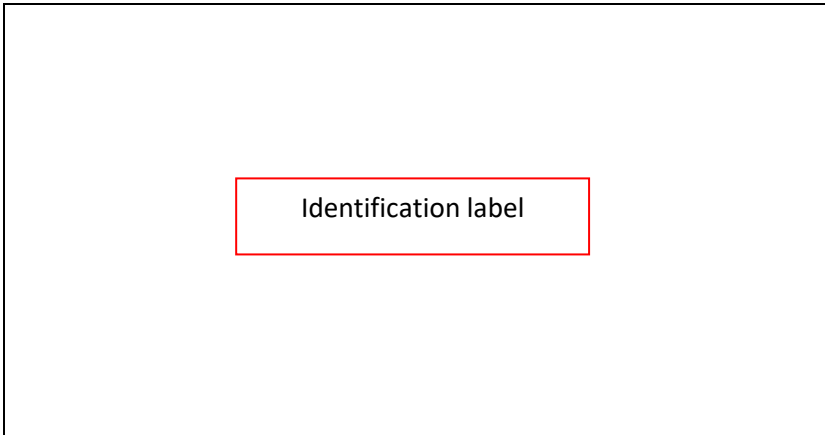


Operating instructions

Coolant circulation system

# 1 Machine UKCA Conformity Declaration

We hereby declare that the model



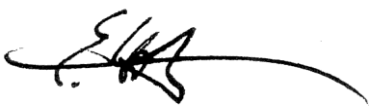
in the supplied version complies with the following relevant standards:

EC-Machine Guideline (2006/42/EG, Annex I)  
DIN EN 60204.1

## **Intendes Use**

This coolant circulation system serves to supply glass processing machines with cooling lubricants. Any other use of this system is considered improper.

Haan, August 2022



Edgar Höhn

Techn. Director Machines

Bohle AG, Dieselstraße 10, D-42781 Haan

## 2 Function

The cooling water or the cooling lubricant water mixture is delivered to the processing machine with a submersible pump (D). The return flow is carried out through a HT-pipe NW 40. Via a cascade system (E) in the containers of the coolant circulation system, the glass abrasion is effectively settled by sedimentation. This partially clarified coolant water flows back to the processing machine again.

## 3 Technical specifications

Art.-Nr	BO KUS23100	BO KUS40100	BO KUS23050	BO KUS40050
Usable Volume	100 L	100 L	50 L	50 L
Number of containers	2	2	1	1
Max. Flow rate	ca. 50 L/min	ca. 75 L/min	ca. 50 L/min	ca. 65 L/min
Dimensions (mm)	610 x 810 x 710	610 x 810 x 710	610 x 410 x 450	610 x 410 x 450
Power connection	0,1 kW, 230 V	0,36 kW, 400 V	0,1 kW, 230 V	0,36 kW, 400 V

Transport trolley Coolant Circulation System 50 L

**SP 78.B0051**

## 4 Initial start-up



**Always pull the main plug when working on the water tank!**

### Electrical connection

The Power is supplied with the plug (A) to a switchable socket on an existing machine. The system is switched on and off by the switch of the socket or via the main switch of the machine.

### Inflow to the glass processing machine

The pump (D) has two separately adjustable hose plugs (B) (Gardena© system). The pressure hose is connected by a suitable hose coupling.

### Fill coolant

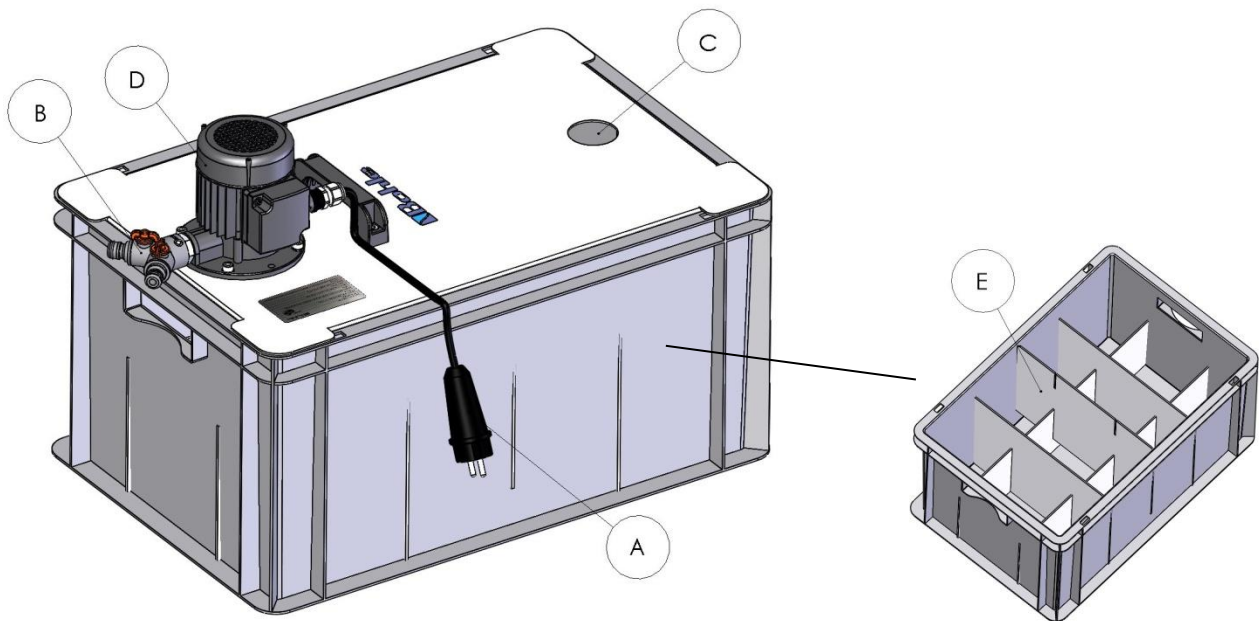
Fill the water or coolant/water mixture into all containers until all settling chambers are covered.

### Waste water connection

Insert the return flow from the glass processing machine (HT pipe NW40) into the cover hole (C).

### Water regulation

The coolant flow rate can be regulated using the shut-off faucet at the processing machine or at the coolant circulation system. The pump can continue to run even when the faucets are closed.



## 5 Maintenance

The coolant circulation system must be cleaned weekly and depending on the level of contamination for trouble-free and optimum function. Contamination of the coolant by other substances (e.g. greases, oils) must be avoided.



**Always pull the main plug when working on the water tank**



**Do not run the pump dry**

### Periodic maintenance points:

- Check nozzles, hoses and pipes for blockages and clean
- After a longer period of work, empty the containers of water and completely remove the sediments in the containers and on the cascade system
- Check the electrical connecting cable and main plug for tightness and freedom from damage
- Check tightness of all screws

When not in use for a longer period of time, we recommend that the coolant circulation system be emptied and cleaned.

## 6 Troubleshooting

For inquiries regarding spare parts orders and malfunctions, please tell us the type and serial number of the machine. You can find these informations on the identification label.

Pump is not running	Water level is too low	Fill up water
Pump is not running	Suction port is blocked	Eliminate cause
Pump is not running	Faucet is closed	Open the faucet
Pump is not running	Pump is broken	Replace the pump
Pump is not running	Connection cable	Replace the cable

