



Elegant balcony and terrace glazing

FloorTrack

Being outside – without being outside

BEING OUTSIDE – WITHOUT BEING OUTSIDE

How does this work? With the new floor-guided sliding door system from Bohle. Whether it is for a private summer garden or for practical terrace partitioning in the catering trade: with FloorTrack, you create a mobile and transparent partition wall that elegantly separates outdoor areas from each other.

Depending on your preference, you can choose between two bottom tracks: While one variant is recessed in the floor, an attached running track can also be fitted. Three to five sliding elements with a maximum width of 1.30 m each are possible for a timeless glass partition.

Product highlights

- Installation with recessed or surface-mounted floor rail
- 3-5 sliding elements possible
- Total widths of over 10 m possible thanks to connecting elements
- 3 finishes available: White (RAL 9010), anthracite grey (RAL 7016) and aluminium coloured anodised + special coatings (RAL colours) on request
- Perfect alignment thanks to height adjustability





FLOORTRACK

FloorTrack Ordering Guide

5 – 7

FloorTrack Components

8 – 14

SUPPLEMENTARY PRODUCTS

Handles

15

Tools, Cleaning and Handling

16 – 19

SEE OUR TRUE COLOURS

Give your projects the perfect finish. A large number of our products can now be powder-coated according to your requirements. Choose from the entire RAL colour palette and for a harmonious overall look. Whether you are installing interior or exterior door systems, glass partitions or safety barriers - everything appears in a uniform look.

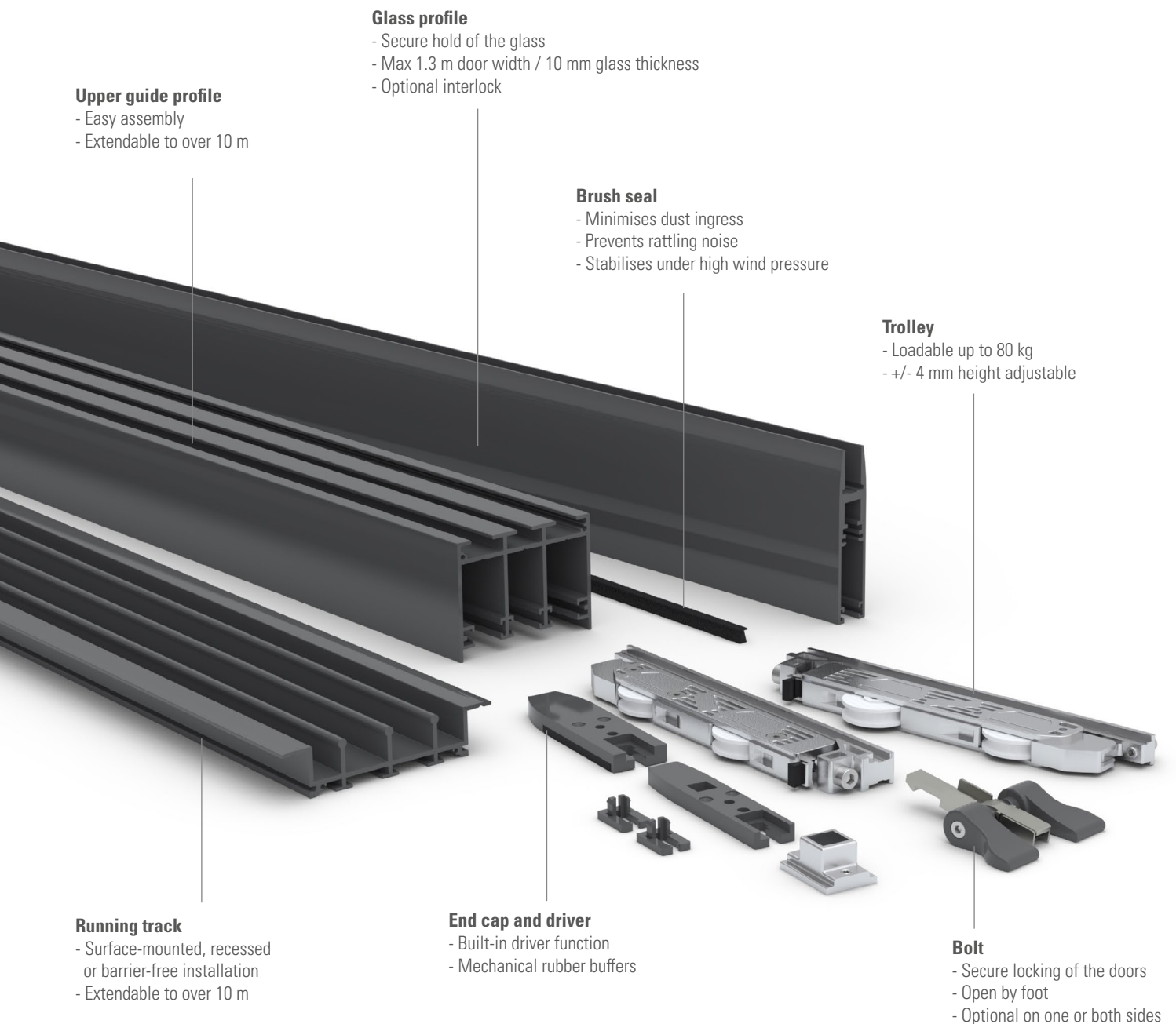
For special colours outside the RAL palette, please contact us - we will check your individual requirements.
info@bohle.ltd.uk



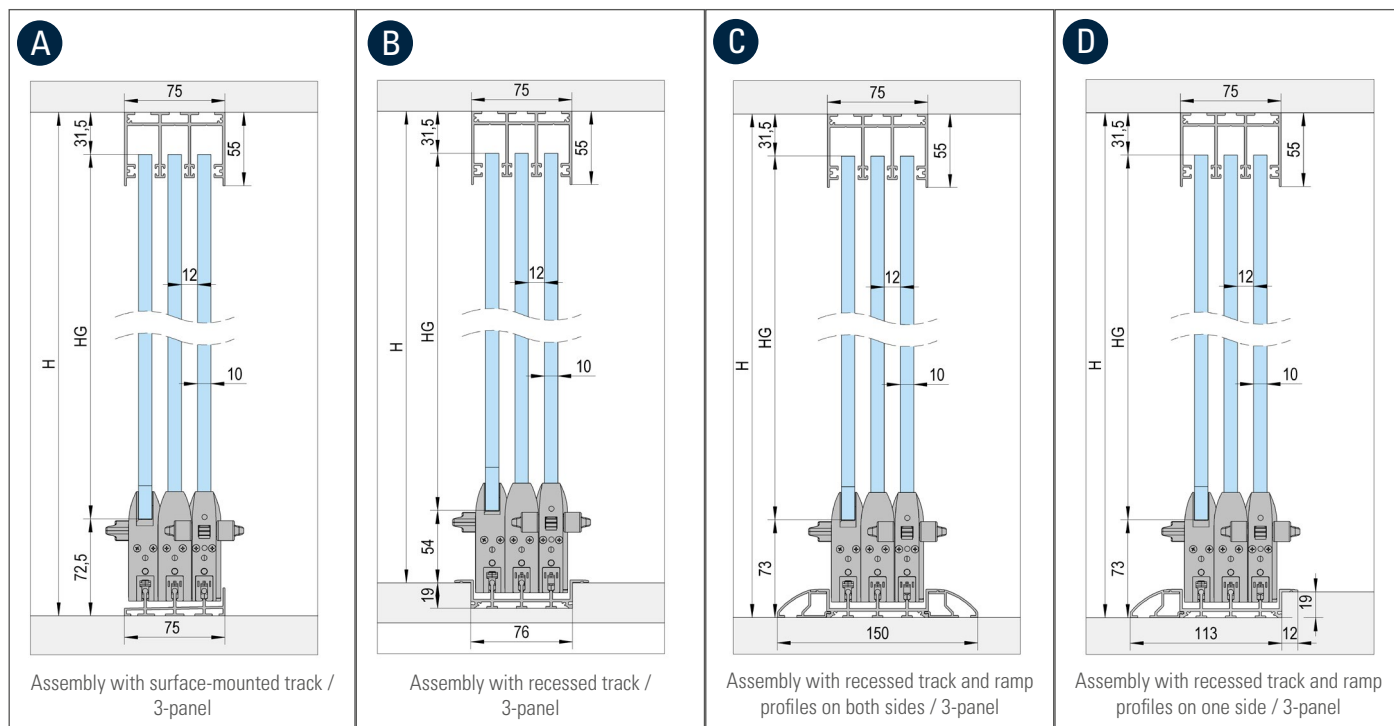
FloorTrack

Both narrow and wide glass partition walls can be achieved with FloorTrack: On the one hand, the floor profiles can be individually shortened, and on the other, they can be joined together with the help of connecting elements to create a total width of over 10 metres. This creates impressive glass fronts in a modern style.

As the individual glass panes made of 10 mm toughened safety glass have a catch function, the open partition can be closed in no time at all. With three finishes of white, anthracite grey and anodised aluminium, FloorTrack adapts perfectly to any environment. The high-quality processed fittings are all anodised or powder-coated and therefore offer the corrosion protection that is necessary for outdoor use: The height adjustability guarantees perfect alignment of the panes for a seamless installation.



FLOORTRACK 3 DOORS

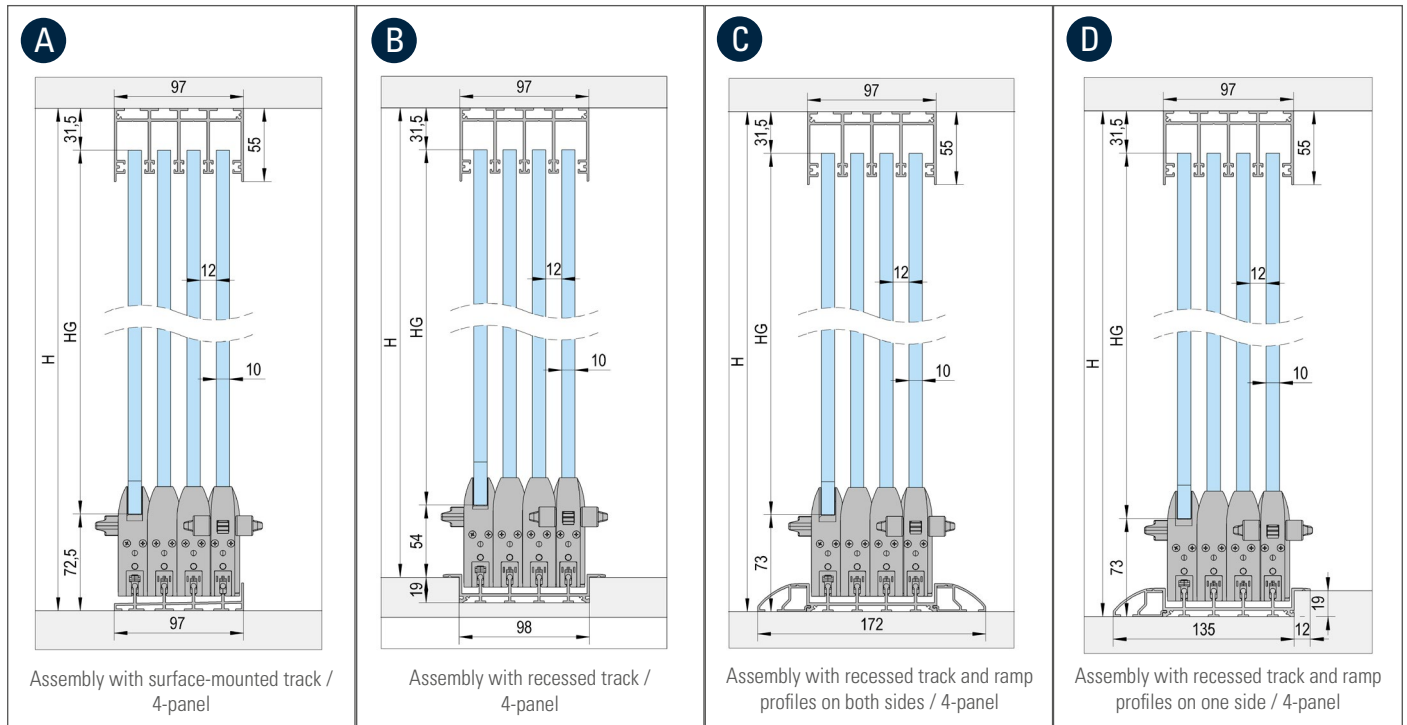


ARTICLE	NATURAL ANODISED (ART. NO.)	WHITE (ART. NO.)	ANTHRACITE (ART. NO.)	A	B	C	D
Surface-mounted track (3 m)*	BO 5903041	BO 5903042	BO 5903043	1x			
Surface-mounted track (4 m)*	BO 5904041	BO 5904042	BO 5904043	1x			
Recessed track (3 m)*	BO 5903071	BO 5903072	BO 5903073		1x		
Recessed track (4 m)*	BO 5904071	BO 5904072	BO 5904073		1x		
Track for ramp on both sides (3 m)*	BO 5903071	BO 5903072	BO 5903073			1x	
Track for ramp on both sides (4 m)*	BO 5904071	BO 5904072	BO 5904073			1x	
Track for ramp on one side (3 m)*	BO 5903071	BO 5903072	BO 5903073				1x
Track for ramp on one side (4 m)*	BO 5904071	BO 5904072	BO 5904073				1x
Top profile (3 m)*	BO 5903011	BO 5903012	BO 5903013	1x	1x	1x	1x
Top profile (4 m)*	BO 5904011	BO 5904012	BO 5904013	1x	1x	1x	1x
Ramp profile on both sides (3 m)*	BO 5913011	BO 5913012	BO 5913013			2x	
Ramp profile on both sides (4 m)*	BO 5914011	BO 5914012	BO 5914013			2x	
Ramp profile on one side (3 m)*	BO 5913011	BO 5913012	BO 5913013				1x
Ramp profile on one side (4 m)*	BO 5914011	BO 5914012	BO 5914013				1x
Glass profile (3 m)	BO 5913021	BO 5913022	BO 5913023	1x/2x**	1x/2x**	1x/2x**	1x/2x**
Wall profile (3 m)	BO 5913031	BO 5913032	BO 5913033	2x	2x	2x	2x
Fittings kit panel A (1 pcs / with latch)*	BO 5900001	BO 5900002	BO 5900024	2x	2x	2x	2x
Fittings kit panel A1 (1 pcs / without latch)*	BO 5900005	BO 5900006	BO 5900026	2x	2x	2x	2x
Fittings kit panel B (1 pcs)	BO 5900003	BO 5900004	BO 5900025	1x	1x	1x	1x
Lower end piece (1 pair)	BO 5900017	BO 5900011	BO 5900014	1x			
Brush profile wall-/Glass profile (25 m)	BO 5900007	BO 5900007	BO 5900007	1x	1x	1x	1x
Brush profile Top profile (20 m)	BO 5900008	BO 5900008	BO 5900008	1x/2x**	1x/2x**	1x/2x**	1x/2x**
Adhesive tape (5,5 m)	BO 5900010	BO 5900010	BO 5900010	1x	1x	1x	1x
Junction plates (10 pcs / only if necessary)	BO 5900020	BO 5900020	BO 5900020	1x	1x	1x	1x

* Either/or

** Quantity depends on total width

FLOORTRACK 4 DOORS

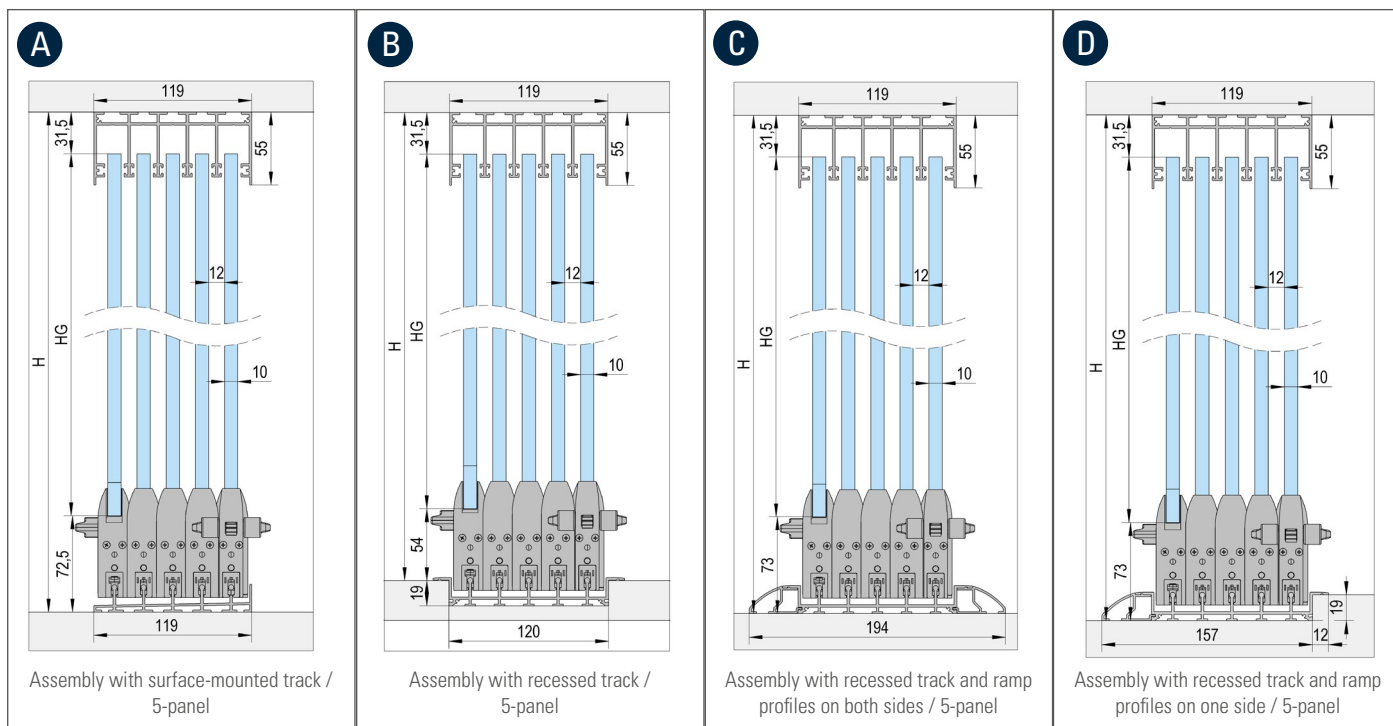


ARTICLE	NATURAL ANODISED (ART. NO.)	WHITE (ART. NO.)	ANTHRACITE (ART. NO.)	A	B	C	D
Surface-mounted track (3 m)*	BO 5903051	BO 5903052	BO 5903053	2x			
Surface-mounted track (4 m)*	BO 5904051	BO 5904052	BO 5904053	1x			
Recessed track (3 m)*	BO 5903081	BO 5903082	BO 5903083		1x		
Recessed track (4 m)*	BO 5904081	BO 5904082	BO 5904083		1x		
Track for ramp on both sides (3 m)*	BO 5903081	BO 5903082	BO 5903083			1x	
Track for ramp on both sides (4 m)*	BO 5904081	BO 5904082	BO 5904083			1x	
Track for ramp on one side (3 m)*	BO 5903081	BO 5903082	BO 5903083				1x
Track for ramp on one side (4 m)*	BO 5904081	BO 5904082	BO 5904083				1x
Top profile (3 m)*	BO 5903021	BO 5903022	BO 5903023	2x	1x	1x	1x
Top profile (4 m)*	BO 5904021	BO 5904022	BO 5904023	1x	1x	1x	1x
Ramp profile on both sides (3 m)*	BO 5913011	BO 5913012	BO 5913013			2x	
Ramp profile on both sides (4 m)*	BO 5914011	BO 5914012	BO 5914013			2x	
Ramp profile on one side (3 m)*	BO 5913011	BO 5913012	BO 5913013				1x
Ramp profile on one side (4 m)*	BO 5914011	BO 5914012	BO 5914013				1x
Ramp profile on one side (5,6 m)*	BO 5915611	BO 5915612	BO 5915613				1x
Glass profile (3 m)	BO 5913021	BO 5913022	BO 5913023	2x	2x	2x	2x
Wall profile (3 m)	BO 5913031	BO 5913032	BO 5913033	2x	2x	2x	2x
Fittings kit panel A (1 pcs / with latch)*	BO 5900001	BO 5900002	BO 5900024	2x	2x	2x	2x
Fittings kit panel A1 (1 pcs / without latch)*	BO 5900005	BO 5900006	BO 5900026	2x	2x	2x	2x
Fittings kit panel B (1 pcs)	BO 5900003	BO 5900004	BO 5900025	2x	2x	2x	2x
Lower end piece (1 pair)	BO 5900018	BO 5900012	BO 5900015	2x			
Brush profile wall-/Glass profile (25 m)	BO 5900007	BO 5900007	BO 5900007	1x	1x	1x	1x
Brush profile Top profile (20 m)	BO 5900008	BO 5900008	BO 5900008	2x/3x**	2x/3x**	2x/3x**	2x/3x**
Adhesive tape (5,5 m)	BO 5900010	BO 5900010	BO 5900010	1x	1x	1x	1x
Junction plates (10 pcs / only if necessary)	BO 5900020	BO 5900020	BO 5900020	1x	1x	1x	1x

* Either/or

** Quantity depends on total width

FLOORTRACK 5 DOORS



ARTICLE	NATURAL ANODISED (ART. NO.)	WHITE (ART. NO.)	ANTHRACITE (ART. NO.)	A	B	C	D
Surface-mounted track (3 m)*	BO 5903061	BO 5903062	BO 5903063	2x			
Surface-mounted track (5,6 m)	BO 5905661	BO 5905662	BO 5905663	1x			
Recessed track (3 m)*	BO 5903091	BO 5903092	BO 5903093		2x		
Recessed track (5,6 m)	BO 5905691	BO 5905692	BO 5905693		1x		
Track for ramp on both sides (3 m)*	BO 5903091	BO 5903092	BO 5903093			2x	
Track for ramp on both sides (5,6 m)	BO 5905691	BO 5905692	BO 5905693			1x	
Track for ramp on one side (3 m)*	BO 5903091	BO 5903092	BO 5903093				2x
Track for ramp on one side (5,6 m)	BO 5905691	BO 5905692	BO 5905693				1x
Top profile (3 m)*	BO 5903031	BO 5903032	BO 5903033	2x	2x	2x	2x
Top profile (5,6 m)	BO 5905631	BO 5905632	BO 5905633	1x	1x	1x	1x
Ramp profile on both sides (3 m)*	BO 5913011	BO 5913012	BO 5913013			4x	
Ramp profile on both sides (5,6 m)*	BO 5915611	BO 5915612	BO 5915613			2x	
Ramp profile on one side (3 m)*	BO 5913011	BO 5913012	BO 5913013				2x
Ramp profile on one side (5,6 m)*	BO 5915611	BO 5915612	BO 5915613				1x
Glass profile (3 m)	BO 5913021	BO 5913022	BO 5913023	2x/3x**	2x/3x**	2x/3x**	2x/3x**
Wall profile (3 m)	BO 5913031	BO 5913032	BO 5913033	(2x)	(2x)	(2x)	(2x)
Fittings kit panel A (1 pcs / with latch)*	BO 5900001	BO 5900002	BO 5900024	2x	2x	2x	2x
Fittings kit panel A1 (1 pcs / without latch)*	BO 5900005	BO 5900006	BO 5900026	2x	2x	2x	2x
Fittings kit panel B (1 pcs)	BO 5900003	BO 5900004	BO 5900025	3x	3x	3x	3x
Lower end piece (1 pair)	BO 5900019	BO 5900013	BO 5900016	1x			
Brush profile wall-/Glass profile (25 m)	BO 5900007	BO 5900007	BO 5900007	1x	1x	1x	1x
Brush profile Top profile (20 m)	BO 5900008	BO 5900008	BO 5900008	3x/4x**	3x/4x**	3x/4x**	3x/4x**
Adhesive tape (5,5 m)	BO 5900010	BO 5900010	BO 5900010	1x	1x	1x	1x
Junction plates (10 pcs / only if necessary)	BO 5900020	BO 5900020	BO 5900020	(1x)	(1x)	(1x)	(1x)

* Either/or

** Quantity depends on total width

FLOORTRACK components

FloorTrack top track



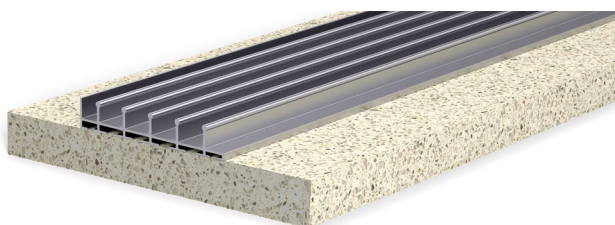
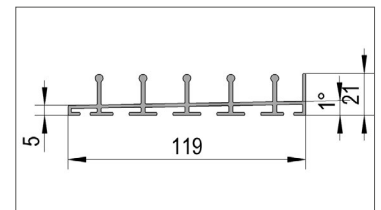
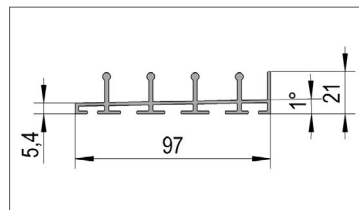
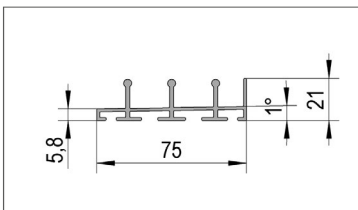
The surface-mounted version of the FloorTrack track enables quick and uncomplicated installation and offers a simple solution for drainage due to its sloping design.

- When combined with wall profile, the lower end pieces are required
- For use without wall profile, the cover cap set is required.
- Material aluminium

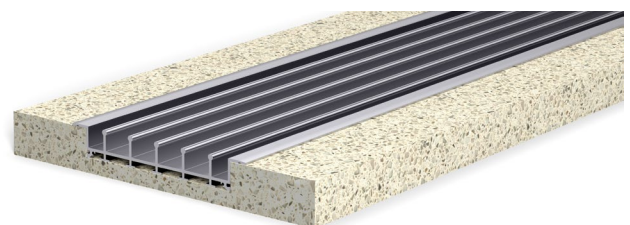
APPLICATION	LENGTH	FINISH	ART. NO.	SU
3 doors	3,000 mm	Aluminium coloured E6/C0 anodised	BO 5903041	1x
3 doors	3,000 mm	White RAL 9010 powder coated	BO 5903042	1x
3 doors	3,000 mm	Anthracite grey RAL 7016 powder-coated	BO 5903043	1x
3 doors	4,000 mm	Aluminium coloured E6/C0 anodised	BO 5904041	1x
3 doors	4,000 mm	White RAL 9010 powder coated	BO 5904042	1x
3 doors	4,000 mm	Anthracite grey RAL 7016 powder-coated	BO 5904043	1x

APPLICATION	LENGTH	FINISH	ART. NO.	SU
4 doors	3,000 mm	Aluminium coloured E6/C0 anodised	BO 5903051	1x
4 doors	3,000 mm	White RAL 9010 powder coated	BO 5903052	1x
4 doors	3,000 mm	Anthracite grey RAL 7016 powder-coated	BO 5903053	1x
4 doors	4,000 mm	Aluminium coloured E6/C0 anodised	BO 5904051	1x
4 doors	4,000 mm	White RAL 9010 powder coated	BO 5904052	1x
4 doors	4,000 mm	Anthracite grey RAL 7016 powder-coated	BO 5904053	1x

APPLICATION	LENGTH	FINISH	ART. NO.	SU
5 doors	3,000 mm	Aluminium coloured E6/C0 anodised	BO 5903061	1x
5 doors	3,000 mm	White RAL 9010 powder coated	BO 5903062	1x
5 doors	3,000 mm	Anthracite grey RAL 7016 powder-coated	BO 5903063	1x
5 doors	5,600 mm	Aluminium coloured E6/C0 anodised	BO 5905661	1x
5 doors	5,600 mm	White RAL 9010 powder coated	BO 5905664	1x
5 doors	5,600 mm	Anthracite grey RAL 7016 powder-coated	BO 5905663	1x



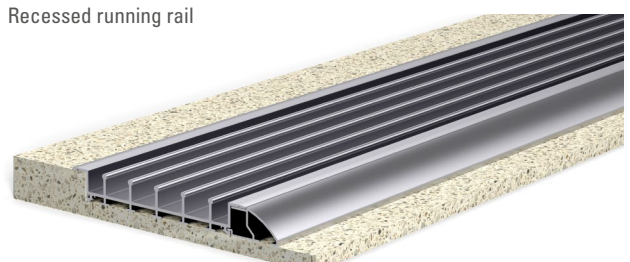
Attached running rail



Recessed running rail



Recessed running rail with two ramp profiles



Recessed running rail with a ramp profile

FloorTrack recessed track



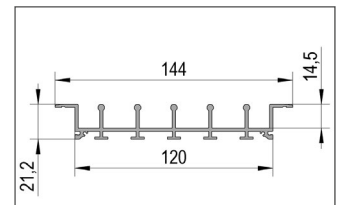
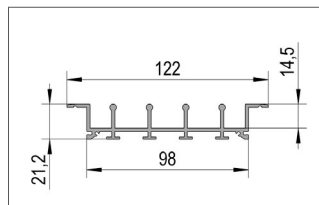
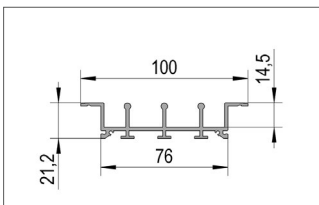
The recessed version of the FloorTrack running track enables installation at ground level, where the running track disappears completely into the floor. Alternatively, this track can be mounted on top and equipped with side ramp profiles as a further barrier-free option.

- Side ramp profiles are required for surface-mounted installation.
- Material aluminium

APPLICATION	LENGTH	FINISH	ART. NO.	SU
3 doors	3,000 mm	Aluminium coloured E6/C0 anodised	BO 5903071	1x
3 doors	3,000 mm	White RAL 9010 powder coated	BO 5903072	1x
3 doors	3,000 mm	Anthracite grey RAL 7016 powder-coated	BO 5903073	1x
3 doors	4,000 mm	Alufarbig E6/C0 eloxiert	BO 5904071	1x
3 doors	4,000 mm	White RAL 9010 powder coated	BO 5904072	1x
3 doors	4,000 mm	Anthracite grey RAL 7016 powder-coated	BO 5904073	1x

APPLICATION	LENGTH	FINISH	ART. NO.	SU
4 doors	3,000 mm	Aluminium coloured E6/C0 anodised	BO 5903081	1x
4 doors	3,000 mm	White RAL 9010 powder coated	BO 5903082	1x
4 doors	3,000 mm	Anthracite grey RAL 7016 powder-coated	BO 5903083	1x
4 doors	4,000 mm	Aluminium coloured E6/C0 anodised	BO 5904051	1x
4 doors	4,000 mm	White RAL 9010 powder coated	BO 5904052	1x
4 doors	4,000 mm	Anthracite grey RAL 7016 powder-coated	BO 5904053	1x

APPLICATION	LENGTH	FINISH	ART. NO.	SU
5 doors	3,000 mm	Aluminium coloured E6/C0 anodised	BO 5903091	1x
5 doors	3,000 mm	White RAL 9010 powder coated	BO 5903092	1x
5 doors	3,000 mm	Anthracite grey RAL 7016 powder-coated	BO 5903093	1x
5 doors	5,600 mm	Aluminium coloured E6/C0 anodised	BO 5905691	1x
5 doors	5,600 mm	White RAL 9010 powder coated	BO 5905692	1x
5 doors	5,600 mm	Anthracite grey RAL 7016 powder-coated	BO 5905693	1x

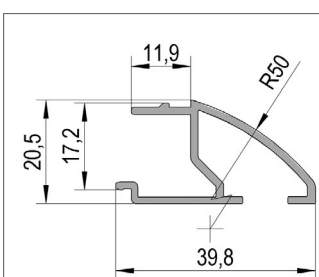


FloorTrack ramp profile



In combination with the recessed track, the FloorTrack ramp profile enables a barrier-free, surface-mounted installation option. The ramp profile is simply clipped onto the side of the running rail.

- Must be combined with recessed track.
- Material aluminium



APPLICATION	LENGTH	FINISH	ART. NO.	SU
All variants	3,000 mm	Aluminium coloured E6/C0 anodised	BO 5913011	1x
All variants	3,000 mm	White RAL 9010 powder coated	BO 5913012	1x
Alle Anwendungen	3,000 mm	Anthrazitgrau RAL 7016 Pulverbeschichtet	BO 5913013	1x
All variants	4,000 mm	Aluminium coloured E6/C0 anodised	BO 5914011	1x
All variants	4,000 mm	White RAL 9010 powder coated	BO 5914012	1x
All variants	4,000 mm	Anthrazitgrau RAL 7016 Pulverbeschichtet	BO 5914013	1x
All variants	5,600 mm	Aluminium coloured E6/C0 anodised	BO 5915611	1x
All variants	5,600 mm	White RAL 9010 powder coated	BO 5915612	1x
All variants	5,600 mm	Anthrazitgrau RAL 7016 Pulverbeschichtet	BO 5915613	1x

FloorTrack lower end pieces for running track

These end pieces for the FloorTrack surface-mounted running track replace the last piece of the running track and therefore enable a seamless connection of the wall connection profiles. The end pieces are simply inserted into the running rail.

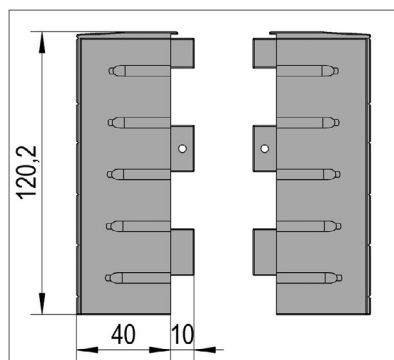
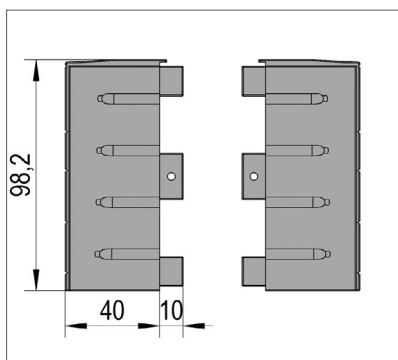
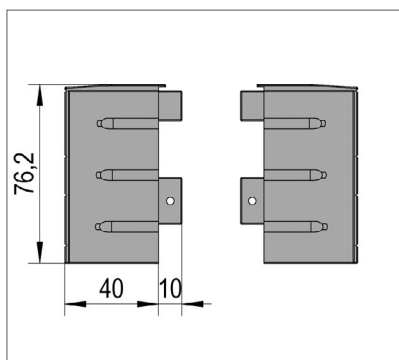
- Lateral pull-off dimension for attached runner: 40 mm per side
- The bottom end piece is only required with top track in combination with side wall profiles.
- Material plastic



APPLICATION	COLOUR	ART. NO.	SU
3 doors	White	BO 5900011	2x
3 doors	Black	BO 5900014	2x
3 doors	Grey	BO 5900017	2x

APPLICATION	COLOUR	ART. NO.	SU
4 doors	White	BO 5900012	2x
4 doors	Black	BO 5900015	2x
4 doors	Grey	BO 5900018	2x

APPLICATION	COLOUR	ART. NO.	SU
5 doors	White	BO 5900013	2x
5 doors	Black	BO 5900016	2x
5 doors	Grey	BO 5900019	2x

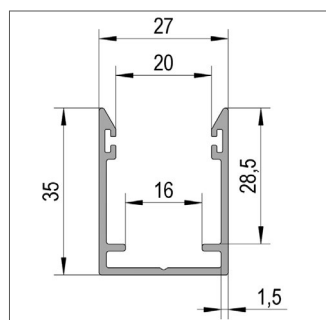


FloorTrack wall profile



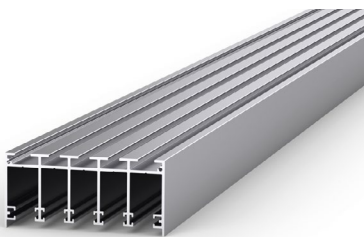
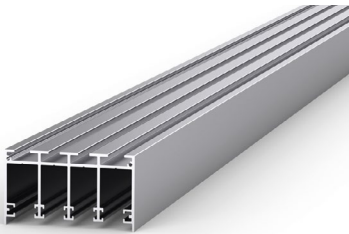
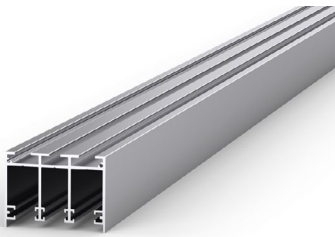
The FloorTrack wall profile with retracted brush seals allows for a rattle-free, lateral insertion of the outer door leaves. In addition, a counter plate for locking the doors can be mounted in the wall profile.

- The FloorTrack brush seal BO 5900007 is required.
- Material aluminium



APPLICATION	LENGTH	FINISH	ART. NO.	SU
All variants	3,000 mm	Aluminium coloured E6/C0 anodised	BO 5913031	1x
All variants	3,000 mm	White RAL 9010 powder coated	BO 5913032	1x
All variants	3,000 mm	Anthracite grey RAL 7016 powder-coated	BO 5913033	1x

FloorTrack upper guide profile



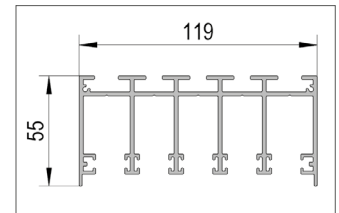
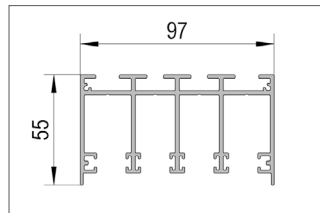
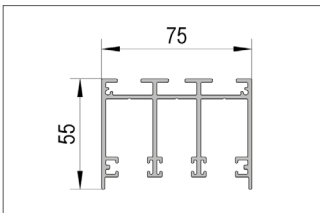
The FloorTrack upper guide profile can be drilled into any guide channel for ceiling mounting. By inserting the hybrid brush seals, a stable and rattle-free running of the doors is ensured.

- The FloorTrack brush seal BO 5900008 is required. For open side application, the FloorTrack cover cap set is required.
- Glass thickness ESG 10 mm
- Material aluminium

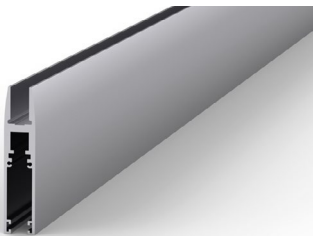
APPLICATION	LENGTH	FINISH	ART. NO.	SU
3 doors	3,000 mm	Aluminium coloured E6/C0 anodised	BO 5903011	1x
3 doors	3,000 mm	White RAL 9010 powder coated	BO 5903012	1x
3 doors	3,000 mm	Anthracite grey RAL 7016 powder-coated	BO 5903013	1x
3 doors	4,000 mm	Aluminium coloured E6/C0 anodised	BO 5904011	1x
3 doors	4,000 mm	White RAL 9010 powder coated	BO 5904012	1x
3 doors	4,000 mm	Anthracite grey RAL 7016 powder-coated	BO 5904013	1x

APPLICATION	LENGTH	FINISH	ART. NO.	SU
4 doors	3,000 mm	Aluminium coloured E6/C0 anodised	BO 5903021	1x
4 doors	3,000 mm	White RAL 9010 powder coated	BO 5903022	1x
4 doors	3,000 mm	Anthracite grey RAL 7016 powder-coated	BO 5903023	1x
4 doors	4,000 mm	Alufarbig E6/C0 eloxiert	BO 5904021	1x
4 doors	4,000 mm	White RAL 9010 powder coated	BO 5904022	1x
4 doors	4,000 mm	Anthracite grey RAL 7016 powder-coated	BO 5904023	1x

APPLICATION	LENGTH	FINISH	ART. NO.	SU
5 doors	3,000 mm	Aluminium coloured E6/C0 anodised	BO 5903031	1x
5 doors	3,000 mm	White RAL 9010 powder coated	BO 5903032	1x
5 doors	3,000 mm	Anthracite grey RAL 7016 powder-coated	BO 5903033	1x
5 doors	4,000 mm	Aluminium coloured E6/C0 anodised	BO 5905631	1x
5 doors	4,000 mm	White RAL 9010 powder coated	BO 5905632	1x
5 doors	4,000 mm	Anthracite grey RAL 7016 powder-coated	BO 5905633	1x



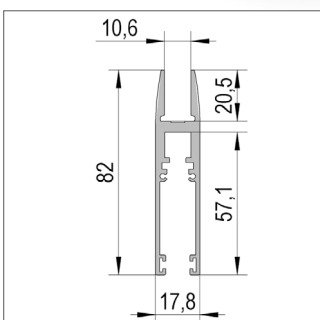
FloorTrack glass profile



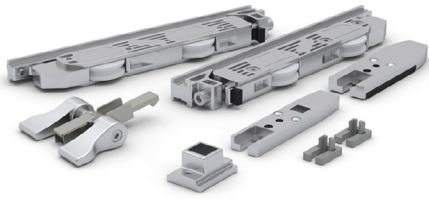
The H-shaped FloorTrack glass profile is mounted on the underside of each door using the FloorTrack adhesive strip and serves as a holder for the carriages.

- The FloorTrack adhesive strip BO 5900010 is required for fixing to the glass
- The FloorTrack brush seal BO 5900007 is also required
- Maximum door leaf dimensions (WxH): 1,300 x 3,000 mm
- Glass thickness ESG 10 mm
- Material aluminium

APPLICATION	LENGTH	FINISH	ART. NO.	SU
All variants	3,000 mm	Aluminium coloured E6/C0 anodised	BO 5913021	1x
All variants	3,000 mm	White RAL 9010 powder coated	BO 5913022	1x
All variants	3,000 mm	Anthracite grey RAL 7016 powder-coated	BO 5913023	1x



FloorTrack accessory set door A



The FloorTrack accessory set for door A contains all components for an end door leaf including locking at the edge of the multi-panel system and end caps that act as drivers. The components are simply inserted into the side of the glass profile and fastened.

- Maximum door dimensions (WxH): 1,300 x 3,000 mm
- Max. door weight 80 kg
- Glass thickness ESG 10 mm

APPLICATION	COLOUR	ART. NO.
All variants	Grey	BO 5900001
All variants	White	BO 5900002
All variants	Black	BO 5900024

FloorTrack accessory set door A1



The FloorTrack accessory set for door A1 includes all components for a finishing door leaf without locking at the edge of the multi-panel system and cover caps that act as drivers. The components are simply inserted into the side of the glass profile and fastened.

- Maximum door dimensions (WxH): 1,300 x 3,000 mm
- Max. door weight 80 kg
- Glass thickness ESG 10 mm

APPLICATION	COLOUR	ART. NO.
All variants	Grey	BO 5900005
All variants	White	BO 5900006
All variants	Black	BO 5900026

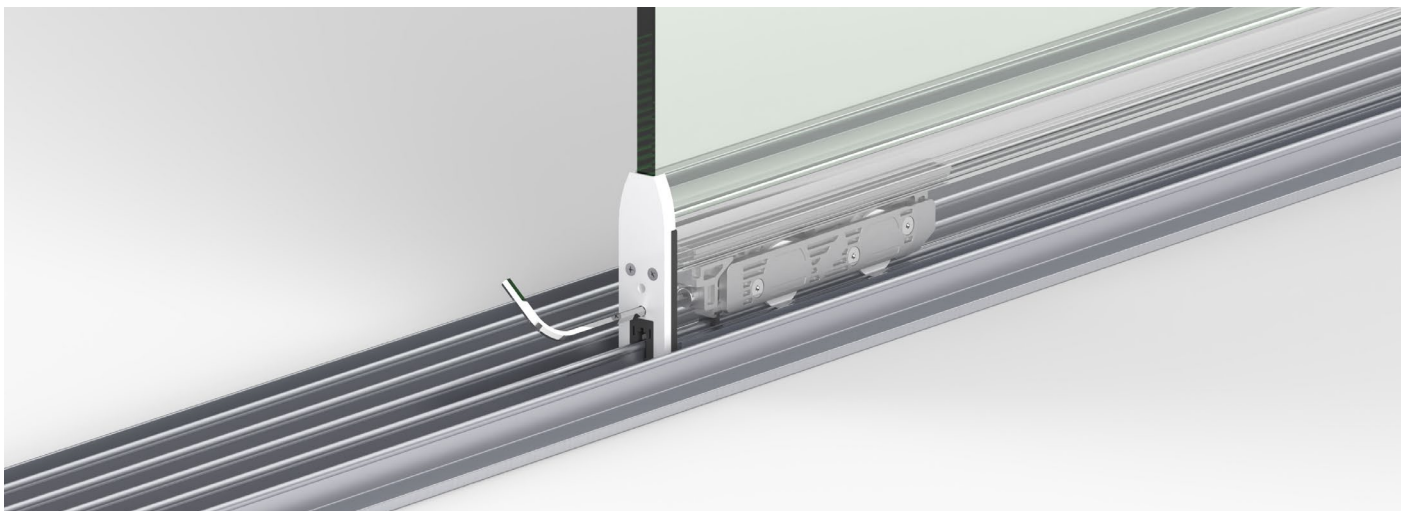
FloorTrack accessory set door B



The FloorTrack accessory set for door B includes all components for a central door leaf and cover caps that act as drivers. The components are simply inserted into the side of the glass profile and fastened.

- Maximum door dimensions (WxH): 1,300 x 3,000 mm
- Max. door weight 80 kg
- Glass thickness ESG 10 mm

APPLICATION	COLOUR	ART. NO.
All variants	Grey	BO 5900003
All variants	White	BO 5900004
All variants	Black	BO 5900025



FloorTrack brush seal for wall and glass profile



The FloorTrack brush seal for wall and glass profiles minimises the ingress of dust and at the same time serves as protection against rattling. Especially important for outdoor applications, this ensures stability under high wind pressure.

APPLICATION	LENGTH	COLOUR	ART. NO.	SU
All variants	25,000 mm	Grey	BO 5900007	1x

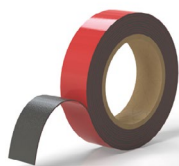
FloorTrack brush seal for upper guide profile



The FloorTrack brush seal for upper guide profiles minimises dust ingress and at the same time serves as rattle protection. Especially important for outdoor applications, this ensures stability under high wind pressure.

APPLICATION	LENGTH	COLOUR	ART. NO.	SU
All variants	20,000 mm	Grey	BO 5900008	1x

FloorTrack adhesive tape



The water-activated FloorTrack adhesive strip is used to fix the doors in the glass profile. To activate, the adhesive strip applied to the door is sprayed with water and can then simply be inserted into the glass profile.

APPLICATION	LENGTH	COLOUR	ART. NO.	SU
All variants	5,500 mm	Grey	BO 5900010	1x

FloorTrack connecting plate for profiles



The FloorTrack connecting plate enables a stable connection of several profile sections, both for running rails and top guide profiles.

- Two connection plates are required per connection point.
- Material aluminium

APPLICATION	LENGTH	ART. NO.	SU
All variants	80 mm	BO 5900020	10x

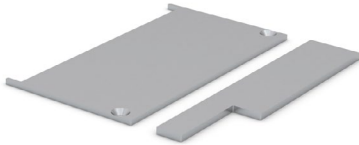
FloorTrack cover cap sets

The FloorTrack cover cap set includes one cover cap each for the top track and for the top guide profile for one side and is only required for open sides without wall profile.

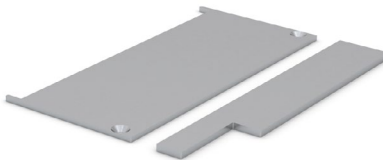
- Material aluminium



APPLICATION	FINISH	ART. NO.	SU
3 Doors	Aluminium coloured E6/C0 anodised	BO 5900021	1x



APPLICATION	FINISH	ART. NO.	SU
4 Doors	Aluminium coloured E6/C0 anodised	BO 5900022	1x



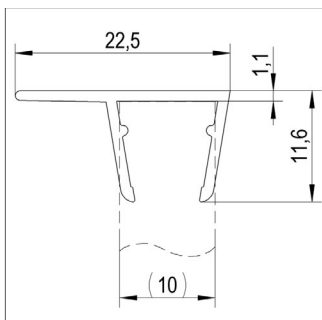
APPLICATION	FINISH	ART. NO.	SU
5 Doors	Aluminium coloured E6/C0 anodised	BO 5900023	1x

FloorTrack seal between door panes



This optional FloorTrack seal provides an additional seal between the door panes for increased wind and dust protection. The seal is simply slipped onto the edge of the glass.

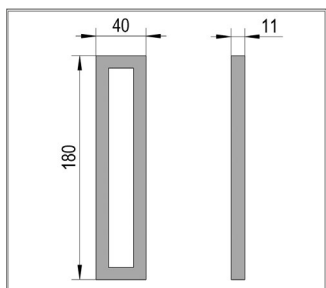
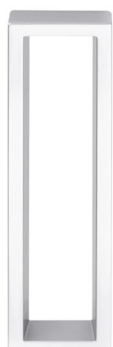
- Glass thickness 10 mm
- Polyvinyl chloride (PVC)



APPLICATION	LENGTH	COLOUR	ART. NO.	SU
All variants	3,000 mm	transparent	BO 5900009	1x

Handles

Shell handle angular open self-adhesive



Classic shell handle with self-adhesive fastening. The shell handle is particularly suitable for sliding glass doors.

- Double-sided 3M adhesive tape preassembled

MATERIAL	COLOUR	FINISH	ART. NO.	SU
Aluminium	Aluminium colour	Aluminium colour C0 anodised E6 stained	BO 5113767	1x
Aluminium	Black	Black RAL 9005 powder coated	BO 5113769	1x
Aluminium	White	White RAL 9016 powder coated	BO 5113768	1x

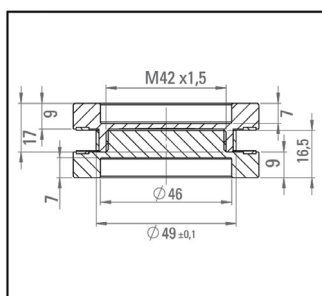
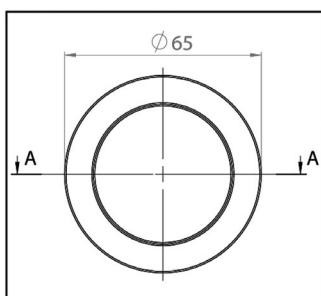
Shell handle angular open self-adhesive



Classic shell handle with self-adhesive fixing. The shell handle is particularly suitable for sliding glass doors.

- Width (ø) 65 mm
- Depth (H) 7 mm
- Glass thickness 8 - 10 mm
- Glass hole ø 50 mm

MATERIAL	COLOUR	FINISH	ART. NO.	SU
Aluminium	Aluminium colour	Aluminium colour C0 anodised E6 stained	BO 5214218N	1x
Stainless steel V2A		Brushed	BO 5214217N	1x
Aluminium	Black	Black RAL 9005 powder coated	BO 5214219N	1x
Stainless steel V2A	White	White RAL 9016 powder coated	BO 5214215N	1x



Tools, Cleaning & Handling

“Löwe” premium mitre scissors



- Mitre shears bright zinc plated
- For cutting shower door seals, rubber profiles, slip strips and flat inserts made of wood and plastic
- With mitre fence for 45° cuts
- Made in Germany

DESCRIPTION	ART. NO.	SALES UNIT
Mitre shears	BO 5109700	1x
Replacement blade	BO 5109701	1x

Spacer plate Euroclick type 3, 40 x 30 mm



Spacer plates are used in window, door, interior and drywall construction. They are used to compensate for unevenness and for quick alignment. The locking hook prevents slipping off the screw. The mounting aid makes it easy to position the spacer plate.

DESCRIPTION	ART. NO.	SALES UNIT
1 mm · white	BO 5133101	100x
3 mm · red	BO 5133103	100x
5 mm · green	BO 5133105	100x

Mirror adhesive Xtragrip® MS Polymer



The mirror adhesive offers fast curing and good initial adhesion. It is low-emission, silicone- and isocyanate-free and therefore easy to use. Tension-free installation of mirrors according to DIN EN 1036 is possible on all common building substrates, without any problems.

- Good initial adhesion
- Fast curing of 2-3 mm/24 h
- Very low emissions, EC1Plus R certified
- Without silicones or isocyanates

DESCRIPTION	ART. NR.	SALES UNIT
1 package (with 25 cartridge)	BO5730006	1x

Bohle Premium Glass Cleaner



The Premium glass cleaner impresses with its high cleaning power. With its revised formula, it continues to ensure streak-free cleaning. The usual fast evaporation speed makes it easy to use. Spray on, dissolve dirt and wipe clean.

- Streak-free
- Spray bottle without propellant gas
- Biodegradable
- Easy application

DESCRIPTION	ART. NO.	SALES UNIT
Contents: 1 SU (with 12 bottles of 1 litre incl. 3 spray heads)	BO 5107805	1x
Capacity 10 l	BO 5107807	1x

BriteGuard® Limescale Remover



The limescale remover is suitable for effortless removal of even stubborn limescale deposits. It can be used on glass, ceramic, metal and other acid-resistant surfaces. The ideal pre-cleaner to prepare a coating with BriteGuard® Pro.

- Powerful
- Mild, natural acid components
- Biodegradable
- Suitable for sensitive surfaces

DESCRIPTION	ART. NO.	SALES UNIT
Contents: 1	BO 5881001	1x
Capacity 5 l	BO 5885001	1x

BriteGuard® Pro



BriteGuard® Pro protects all smooth glass and glass-ceramic surfaces from corrosion and creates an "easy to clean" surface. Contaminants barely adhere and water beads off. Pre-clean, apply, wipe dry, done! Suitable for indoor and outdoor use and durable for many years.

- Long-term protection
- Longer cleaning cycles
- No aggressive cleaners necessary
- No visual impairments
- Easy repair and refreshing of the coating
- No special pre-cleaner required
- Quick application

DESCRIPTION	ART. NO.	SALES UNIT
Contents: 1	BO 5850500	1x
Capacity 5 l	BO 5855000	1x

Microfibre cloths premium



The high-quality microfibre cloths shorten cleaning times. Dirt and moisture are absorbed well and removed quickly. They enable effortless work without great physical effort. The cloths can be washed at least 500 times and can be used dry and wet.

- Efficient cleaning
- 500 times washable

DESCRIPTION	ART. NO.	SALES UNIT
Weight per piece 50 g	BC 5056000	10x

Veribor® 3-head plastic suction lifter



- Load capacity 90 kg
- Support direction parallel
- Suction pad material plastic
- Surface geometry flat
- Suction disc ø 120 mm

ART. NO.	SALES UNIT
BO 603.1G	1x

Veribor® 2-head plastic suction lifter



- Load capacity 50 kg
- Support direction parallel
- Suction pad material plastic
- Surface geometry flat
- Suction disc ø 120 mm

ART. NO.	SALES UNIT
BO 602.1G	1x

Veribor® battery suction lifter made of plastic in case



- Load capacity 120 kg
- Transport direction parallel
- Suction pad material plastic
- Surface geometry flat
- Suction disc ø 213 mm
- Vacuum safety indicator

ART. NO.	SALES UNIT
BO 601GA	1x

Veribor® pump suction lifter made of plastic in case



- Load capacity 120 kg
- Support direction parallel
- Suction pad material plastic
- Surface geometry flat
- Suction disc ø 213 mm
- Vacuum safety indicator
- GS certified

ART. NO.	SALES UNIT
BO 601G	1x

Veribor® corner shoe made of wood



The Veribor® wooden corner shoe with built-in suction holder is ideal as edge protection when transporting glass or gas-tight plates made of various materials. Our Veribor® corner shoe is simply placed on the corner to be protected and fixed by means of the suction holder.

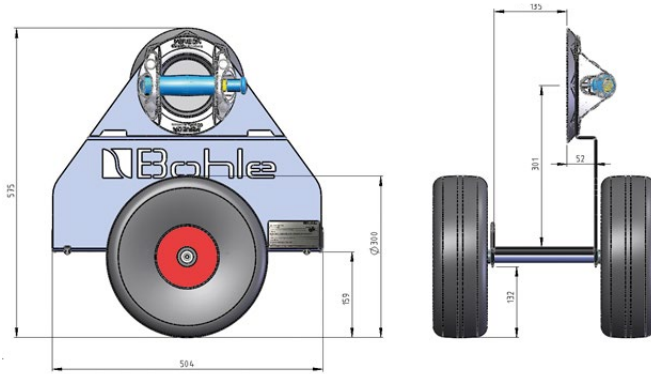
DESCRIPTION	ART. NO.	SU
Panel thickness max. 30 mm	BO 680.30	1x
Panel thickness max. 60 mm	BO 680.60	1x

Veribor® trolley with integrated suction lifter



- Load capacity up to 300 kg
- Minimum thickness of material to be transported 3 mm
- Maximum height of material to be transported 2,000 mm
- Maximum length of material to be transported 3,000 mm

ART. NO.	SALES UNIT
BO 680.0	1x

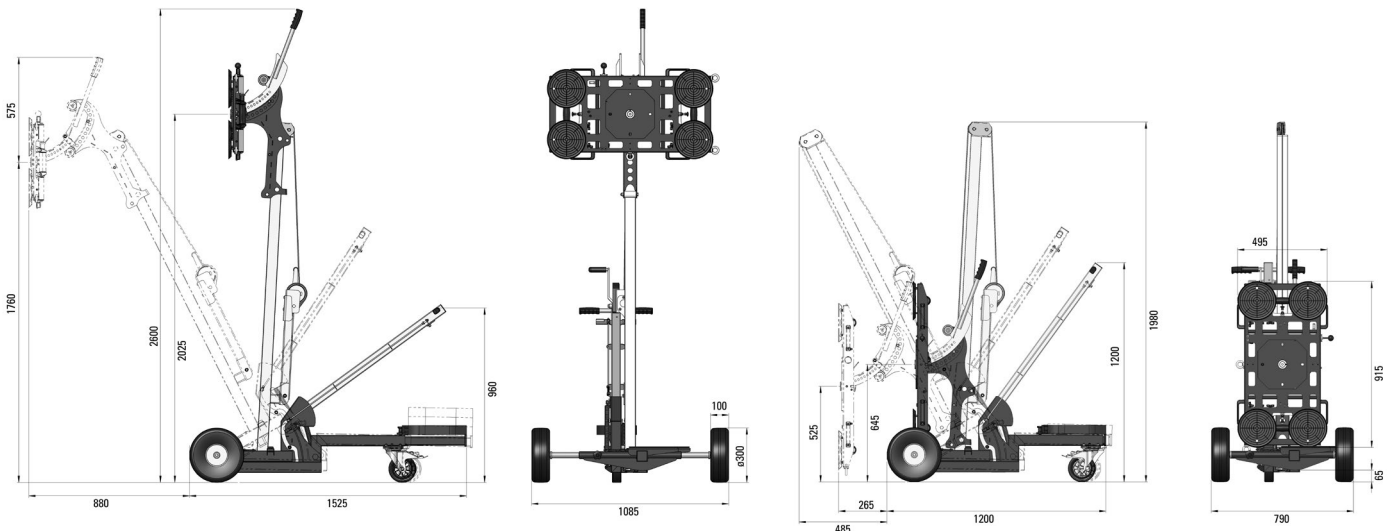


Liftmaster B1 lifting device



DESCRIPTION	ART. NO.
Manual lifting unit	BO 88.01
Number of suction discs	4
Rotate	manual 360°
Swivel	manual 90°

i manual pumping · length 1.200 mm · height 1.950 mm v width 800 mm (with axles pulled out to widen track 1.1 m) · includes lifting system: can be rotated 360° · can be removed very easily and used separately on the crane · has a 2-circuit system with 4 suction discs · is very flat and compact · has a manometer for vacuum monitoring · generation of the vacuum by hand pump, therefore always ready for use (no charging of batteries necessary) · weight of the lifting unit approx. 22 kg








 Bohle

Bohle Ltd.
Fifth Avenue
Tameside Park
Dukinfield
Cheshire · SK16 4PP



 0800 616151 (freephone)
 +44 161 3421100
F +44 161 3440111

 info@bohle.ltd.uk



KA 183EN00 - 2024-9050 - 07 2025 - EN - online